



**Home Sewing Machine**

**PARTS REFERENCE LIST**

**MODEL: XL2600i/XL3500i/XL3600/XL3750  
BM3600/BM2700  
COMFORT 25A/COMFORT 35A  
L30/L40/XL3750FS/LS590  
HQ33**

**CONFIDENTIAL**

Copyright © 2010 Brother Industries, Ltd.  
All rights reserved.

Published: Apr.,2006  
Revised: Jul.,2015

From the library of: Superior Sewing Machine & Supply LLC

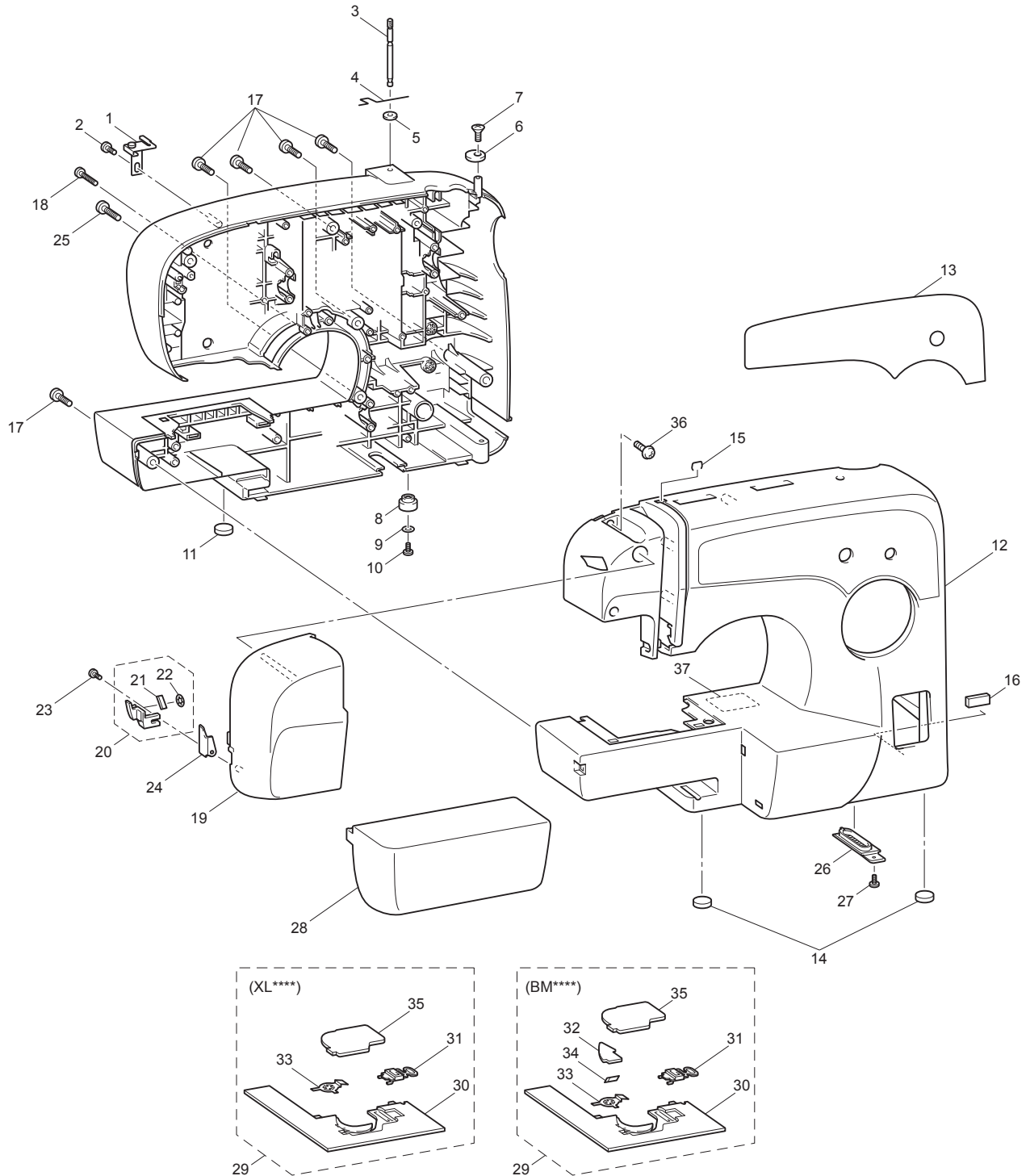
# CONTENTS

(1) PRINCIPAL PARTS.....	2
(2) UPPER SHAFT / NEEDLE BAR, PRESSER MECHANISM.....	4
(3) FEED / FEED ADJUSTMENT MECHANISM .....	6
(4) ZIGZAG / BH / PATTERN SELECTION MECHANISM.....	8
(5) BOBBIN WINDER / THREAD GUIDE MECHANISM .....	10
(6) LAMP MECHANISM / MOTOR UNIT .....	12
(7) ATTACHMENTS / PRINTED MATTER / PACKING MATERIALS .....	14

**Note on parts:**

We keep performance parts for this sewing machine for at least 8 years after this model is discontinued. Performance parts are the necessary parts to maintain the function of the sewing machine.

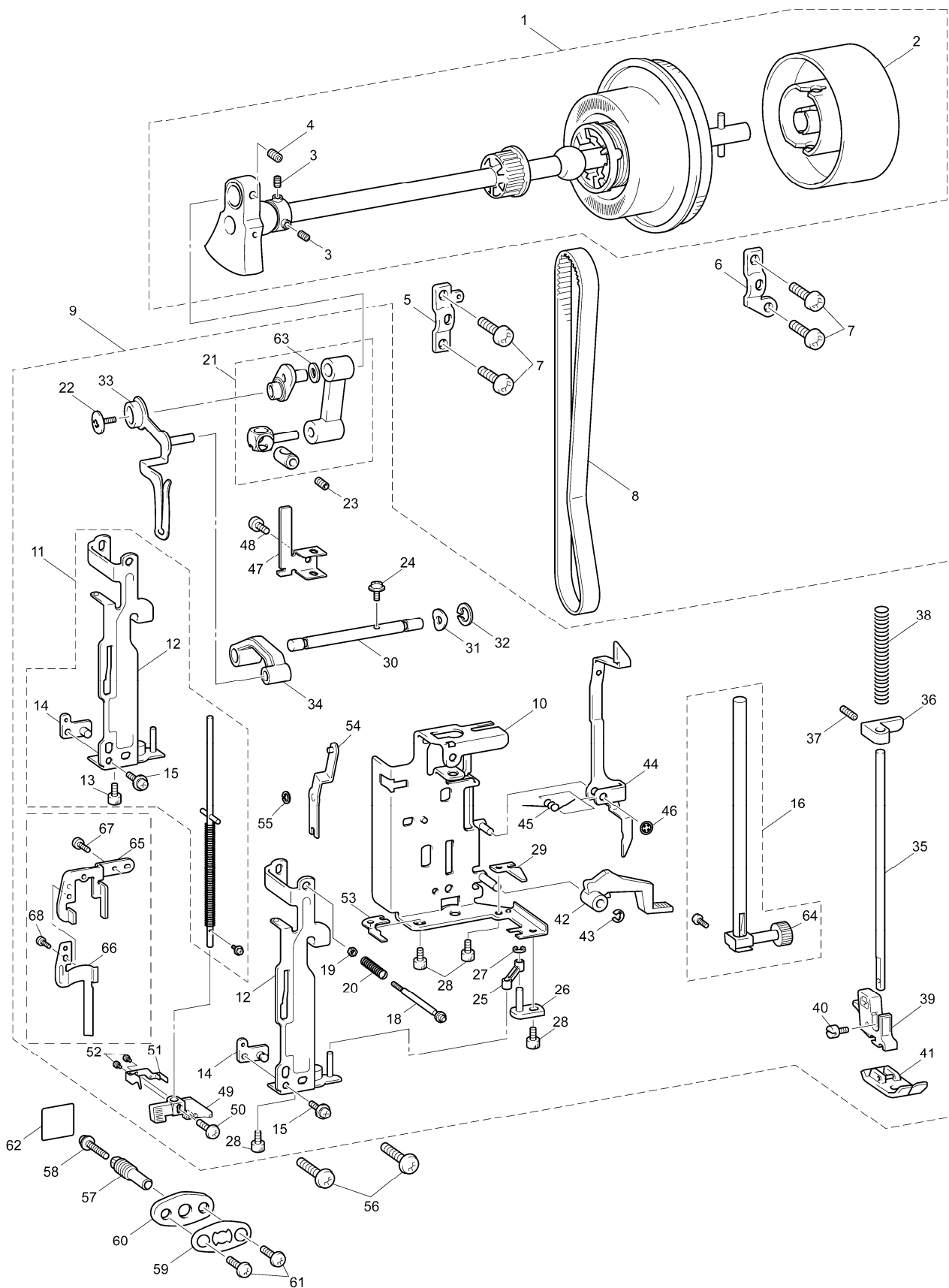
# (1) PRINCIPAL PARTS



## (1) PRINCIPAL PARTS

No.	CODE	NAME	REMARKS	No.	CODE	NAME	REMARKS
1	XC4846121	THREAD GUIDE ASSY	1000030522	20	XC4855021	CUTTER COVER ASSY	
2	085411416	TAPTITE BIND B M4X14		21	X80321021	NT LOWER THREAD CUTTER	
3	188058121	SPOOL PIN		22	138384021	RETAINING RING, CS5	
4	XA0628121	SPOOL PIN SPRING		23	XZ5031001	TAPTITE PAN P (S/P W) 3X12	060058
5	XA8851021	SPOOL PIN STAND		24	XC6057020	GUARD PLATE	
6	XC4481121	BOBBIN PRESSER	1000024110	25	XA3337022	TAPTITE, CUP P M4X20	
7	XZ5031001	TAPTITE PAN P (S/P W) 3X12	060058	26	XE3505001	BASE COVER	1000031941
8	138337022	RUBBER CUSHION A		27	084310816	TAPTITE FLAT B M3X8	1000023854
9	026350235	WASHER, PLAIN M 3.5		28	XC4858021	ACCESSORY TABLE	
10	083361216	TAPTITE, PAN B M3.5X12		29	XC8981121	NEEDLE PLATE B ASSY (XL****, LS590)	
11	XC4077021	BASE PLATE RUBBER			XC9849221	NEEDLE PLATE B ASSY (BM****, COMFORT 25A, 35A, L30, L40, XL3750: CHL, Latin America (2&5), HQ33)	
12	XD1673130	FRONT COVER ASSY (XL2600i)	1000033890	30	XC4860121	NEEDLE PLATE B (XL****, LS590)	
	XD1673021	FRONT COVER ASSY (XL3500i)			XC3521221	NEEDLE PLATE B (BM****, COMFORT 25A, 35A, L30, L40, XL3750: CHL, Latin America (2&5), HQ33)	
	XD1673122	FRONT COVER ASSY (XL3600)	1000033890	31	XC7371021	SLIDE BUTTON	
	XD1673123	FRONT COVER ASSY (BM3600)	1000033890	32	XC2367021	CUTTER COVER (BM****, COMFORT 25A, 35A, L30, L40, XL3750: CHL, Latin America (2&5) , HQ33)	
	XD1673125	FRONT COVER ASSY (BM2700)	1000033890	33	XC2368121	SPRING PLATE	1000031906
	XD1673129	FRONT COVER ASSY (COMFORT 25A)	1000033890	34	X80321021	NT LOWER THREAD CUTTER (BM****, COMFORT 25A, 35A, L30, L40, XL3750: CHL, Latin America (2&5), HQ33)	
	XD1673128	FRONT COVER ASSY (COMFORT 35A)	1000033890	35	XD1648021	NEEDLE PLATE COVER SUPPLY ASSY	
	XD1673127	FRONT COVER ASSY (L30)	1000033890	36	085411416	TAPTITE BIND B M4X14	
	XD1673126	FRONT COVER ASSY (L40)	1000033890	37	XG0196001	LOWER THREADING LABEL (RUS)	1000043362
	XD1673131	FRONT COVER ASSY (XL3750, 3750FS)	1000033890				
	XD1673132	FRONT COVER ASSY (LS590)	1000033890				
	XD1673133	FRONT COVER ASSY (HQ33)	1000033890				
13	XD1675030	STITCH PATTERN SHEET (XL2600i)	1000000181				
	XD1675021	STITCH PATTERN SHEET (XL3500i)					
	XD1675022	STITCH PATTERN SHEET (XL3600)					
	XD1675023	STITCH PATTERN SHEET (BM3600)					
	XD1675025	STITCH PATTERN SHEET (BM2700)					
	XD1675029	STITCH PATTERN SHEET (COMFORT 25A)	ADD				
	XD1675028	STITCH PATTERN SHEET (COMFORT 35A)	ADD				
	XD1675027	STITCH PATTERN SHEET (L30)	ADD				
	XD1675026	STITCH PATTERN SHEET (L40)	ADD				
	XD1675031	STITCH PATTERN SHEET (XL3750, 3750FS)	1000001599				
	XD1675032	STITCH PATTERN SHEET (LS590)	1000008128				
	XD1675033	STITCH PATTERN SHEET (HQ33)	1000016440				
14	XC4077021	BASE PLATE RUBBER					
15	X53625121	UPPER COVER THREAD GUIDE					
16	XA7769021	CUSHION					
17	XZ5049001	GIZA TITE (S/P W) 5X18	1000003021				
18	XC6304021	GIZA TITE (S/P W) 3X25					
19	XC4854121	FACE PLATE	1000012289				

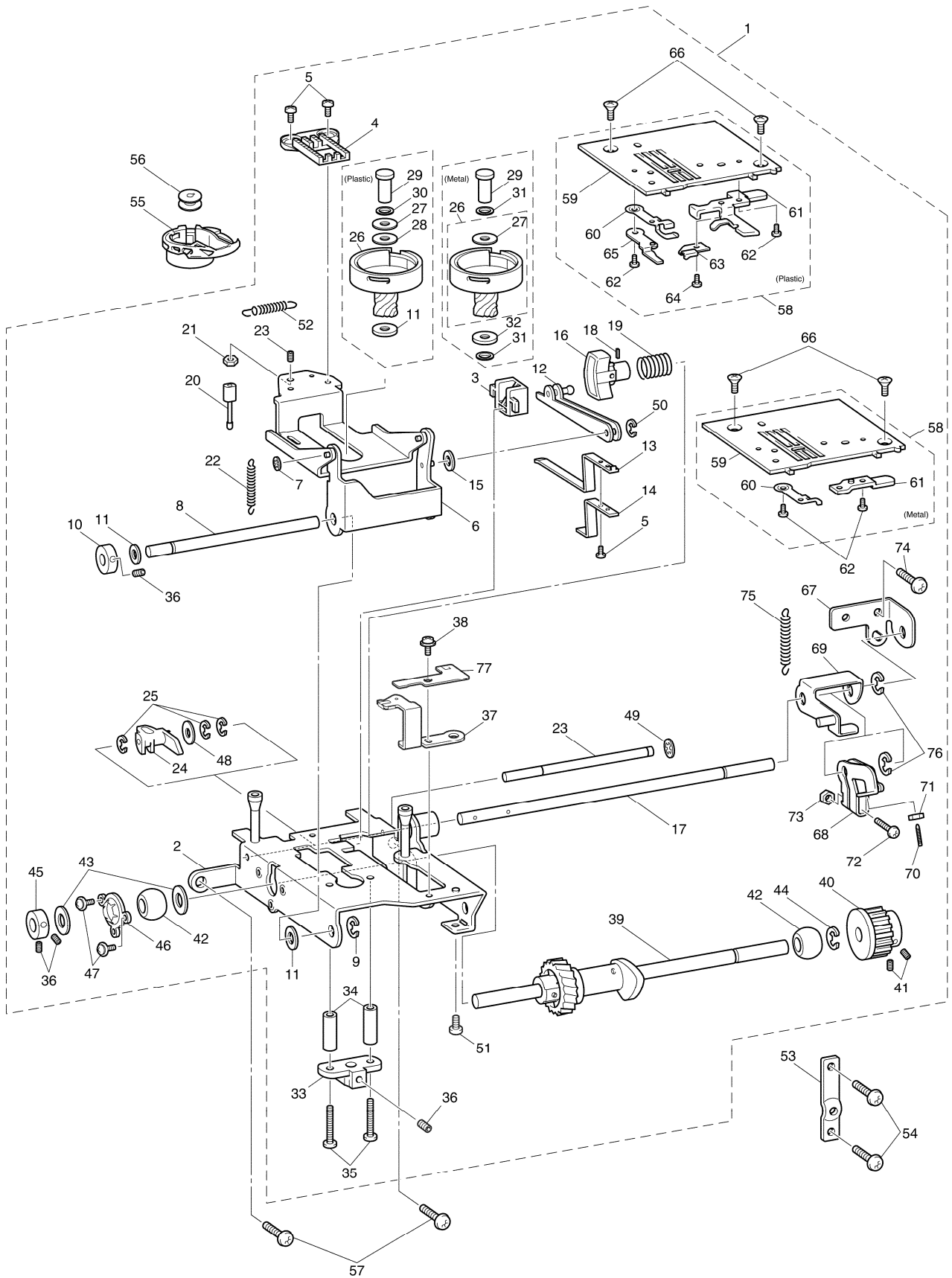
## (2) UPPER SHAFT / NEEDLE BAR, PRESSER MECHANISM



## (2) UPPER SHAFT / NEEDLE BAR, PRESSER MECHANISM

No.	CODE	NAME	REMARKS	No.	CODE	NAME	REMARKS
UPPER SHAFT MECHANISM				40	XG1343001	SCREW SM3.57-40X8	1000045719
1	XE3704001	UPPER SHAFT SUPPLY ASSY		41	XC4901121	ZIGZAG PRESSER FOOT	1000026420
2	XC3529021	PULLEY		42	XC4902021	PRESSER FOOT LIFTER	
3	014400432	SET SCREW, SOCKET (CP) M4X4		43	048040346	RETAINING RING, E4	1000001452
4	012500532	SET SCREW, SOCKET (FT) M5X5		44	XC4903020	THREAD RELEASE LEVER	
5	XC3534121	UPPER SHAFT BEARING PRESSER		45	XC4904121	SPRING	
6	XD1678021	UPPER SHAFT BEARING PRESSER		46	146200021	RETAINING RING, CS4	
7	XC3496021	GIZA TITE 5X16		47	XC6564020	THREAD POSITIONING PLATE (EXCEPT: XL3600)	
8	XE5842001	TIMING BELT 420-5KC-6	1000034634	48	060260406	SCREW, BIND M2.6X4 (EXCEPT: XL3600)	
NEEDLE BAR, PRESSER MECHANISM				49	XC6566121	NEEDLE THREADING LEVER (EXCEPT: XL3600)	
9	XD1852221	NEEDLE-PRESSER MODULE (EXCEPT: XL3600)	1000027109	50	0A5260606	SCREW, PAN (S/P WASHER) M2.6X6 (EXCEPT: XL3600)	
	XD1862221	NEEDLE-PRESSER MODULE (XL3600)	1000027109	51	XA0445251	THREADER HOOK ASSEMBLY (EXCEPT: XL3600)	
10	XC4875221	BASE HOLDER ASSY		52	037200516	TAPPING SCREW, PAN V M2X5 (EXCEPT: XL3600)	
11	XC6559021	NEEDLE HOLDER ASSY (EXCEPT: XL3600)		53	XC7525121	NEEDLE HOLDER STOPPER	
12	XC4880121	NEEDLE HOLDER SUB ASSY		54	XD1691021	BH CONNECTING ROD A ASSY	
13	018300636	BOLT SOCKET M3X6		55	048030346	RETAINING RING E3	1000001452
14	XC4888021	ZIGZAG ADJUST PLATE ASSY		56	XC4961021	GIZA TITE 5X20	
15	XC7564021	SCREW, PAN (S/P WASHER) M3X6	1000008646	57	XC4905121	ADJUSTING SCREW	
16	XD1219131	NEEDLE BAR ASSY N	060088	58	060302506	SCREW BIND M3X25	
17	<del>X58913024</del>	<del>BIND 2X3</del>	<del>DEL</del>	59	XC6056120	PLATE SPRING	
18	XC4884021	NEEDLE HOLDER SHAFT		60	XC4906020	ADJUSTING PLATE	
19	X56851021	LOCK NUT		61	085411416	TAPTITE, BIND B M4X14	
20	XC4885021	SPRING		62	XC4907021	LABEL	
21	XF5017001	NEEDLE BAR CRANK ROD ASSY	1000032404	63	X53330020	WASHER	1000000655
22	132051022	SCREW, FLAT SM3.57-40X7 L		64	XC8563031	NEEDLE CLAMP SCREW	1000002936
23	012400432	SET SCREW SOCKET (FT) M4X4		65	XD1791121	LAMP HOLDER 120V (XL2600i: USA, BRA, XL3500i, 3750, LS590, BM2700, 3600: USA)	1000007202
24	XC3338021	SCREW 3X8		66	XD1971021	GUARD PLATE (XL2600i: USA, BRA, XL3500i, 3750, LS590, BM2700, 3600: USA)	1000007202
25	XC4963020	NEEDLE BAR SUPPORTER ARM		67	060400616	SCREW, BIND M4X6 (XL2600i: USA, BRA, XL3500i, 3750, LS590, BM2700, 3600: USA)	1000007202
27	048020346	RETAINING RING E2	1000001452	68	060300416	SCREW BIND M3X4 (XL2600i: USA, BRA, XL3500i, 3750, LS590, BM2700, 3600: USA)	1000007202
28	018300636	BOLT SOCKET M3X6					
29	XC4894021	STOPPER					
30	XC4895021	SHAFT					
31	XZ5030001	WASHER, SPRING	060059				
32	048050346	RETAINING RING E5	1000001452				
33	XC8564031	THREAD TAKE-UP LEVER					
34	XC4897020	THREAD TAKE-UP LEVER LINK					
35	XC6565121	PRESSER BAR (EXCEPT: XL3600)					
	XC4898021	PRESSER BAR (XL3600)					
36	XC4899121	PRESSER BAR CLAMP					
37	XC7207021	SCREW STUD M5					
38	XC4900021	SPRING					
39	XE2555101	PRESSER FOOT HOLDER ASSY	1000022482				

### (3) FEED / FEED ADJUSTMENT MECHANISM

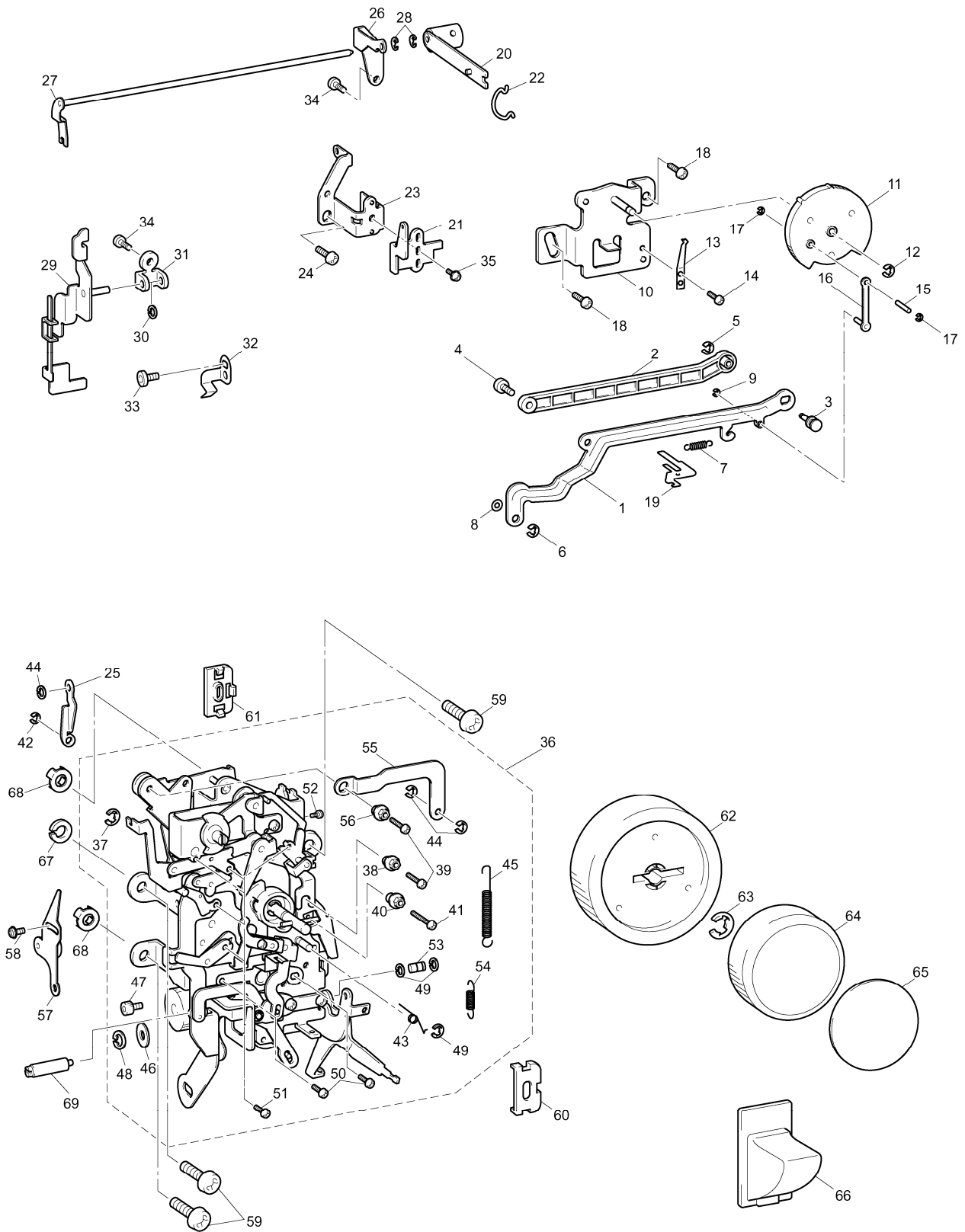


### (3) FEED / FEED ADJUSTMENT MECHANISM

No.	CODE	NAME	REMARKS	No.	CODE	NAME	REMARKS
FEED MECHANISM							
1	XE0093301	FEED MODULE (Plastic Model)	1000027743	39	XC4941021	LOWER SHAFT ASSY	
	XE0094301	FEED MODULE (Metal Model)	1000027743	40	XC4943021	TIMING PULLEY D	
2	XC4909121	BASE PLATE ASSY	1000006200	41	014500532	SET SCREW SOCKET (CP) M5X5	
3	XC4914021	FEED ARM SUPPORTER		42	X52664020	LOWER SHAFT BUSHING	
4	XC4915221	FEED DOG	1000006200	43	X51383020	WASHER, THRUST	
5	060300816	SCREW, BIND M3X8		44	048060346	RETAINING RING E6	
6	XZ5022101	FEED BAR ASSY	1000006200	45	137768121	SET SCREW COLLAR	
7	120454021	RETAINING RING, CS3		46	XC4944021	BUSHING PRESSER B	
8	XC4923020	HORIZONTAL FEED SHAFT		47	085310615	TAPTITE BIND B M3X6	
9	048050346	RETAINING RING E5		48	025040332	WASHER PLAIN L 4	
10	130676121	SET SCREW COLLAR		49	146200021	RETAINING RING, CS4	
11	X50546020	WASHER, THRUST		50	X56655021	RETAINING RING: CSTW-3.5	
12	XC4924021	FEED ARM ASSY		51	060400816	SCREW BIND M4X8	
13	XC4927021	FEED SUPPORTING PLATE		52	XC6364021	SPRING	
14	XC4928120	FEED SUPPORTING PLATE B	1000000733	53	XC4948020	BUSHING PRESSER A	
15	137999020	POLYESTER SLIDER		54	XC3496021	GIZA TITE 5X16	
16	XC4929020	FEED ADJUSTER		55	XC8993321	INNER ROTARY HOOK ASSY	1000008855
17	XC4930121	FEED ADJUSTING SHAFT		56	X52800120	BOBBIN	
18	047201242	PIN SPRING ROLL AW2		57	XC3805021	GIZA TITE 5X16	
19	XC4931021	SPRING		58	XC8990121	NEEDLE PLATE A ASSY (Plastic Model)	
20	XZ5024001	VERTICAL ADJUSTER SCREW ASSY			XC4945121	NEEDLE PLATE A ASSY (Metal Model)	
21	XC2546121	M5 NUT	1000042710	59	XC4946221	NEEDLE PLATE A	
22	XC4935021	SPRING		60	XC8991120	STOPPER PLATE (Plastic Model)	
23	XC4936020	VERTICAL FEED SHAFT			XC2570121	STOPPER PLATE (Metal Model)	
24	XC2551020	VERTICAL LEVER		61	XC8992121	F GEAR STOPPER PLATE (Plastic Model)	
25	048030346	RETAINING RING E3			XC4947121	F GEAR STOPPER PLATE (Metal Model)	
26	XF0149001	OUTER ROTARY HOOK ASSY (Plastic Model)	1000039033	62	XD0196021	SCREW, BIND M2.6X3 (Plastic Model)	
	XD0115021	OUTER ROTARY HOOK ASSY (Metal Model)			060260316	SCREW, BIND M2.6X3 (Metal Model)	
27	XC0063021	MAGNET (Plastic Model)		63	XD0060021	STOPPER PLATE B (Plastic Model)	
	XC0063051	MAGNET (Metal Model)		64	060300416	SCREW BIND M3X4 (Plastic Model)	
28	XC8989020	WASHER (Plastic Model)		65	XD0059021	STOPPER PLATE L (Plastic Model)	
29	XD1943021	OUTER ROTARY HOOK SHAFT		66	X50487021	SCREW M4	1000010447
30	X53183021	WASHER (Plastic Model)		FEED ADJUSTMENT MECHANISM			
31	137805022	SPACER (Metal Model)		67	XC4949020	FEED CONNECTING HOLDER	
32	137976021	WASHER 6 (Metal Model)		68	XC9951021	FEED CONNECTING LEVER A	
33	XC4937020	SHAFT SUPPORTER		69	XC9952021	FEED CONNECTING LEVER B ASSY	
34	XC4938020	COLLAR		70	XA1620021	ADJUSTING SCREW	
35	XC6551021	SCREW, PAN (S/P WASHER) M4X22		71	X56960021	NUT 4	
36	014400432	SET SCREW, SOCKET (CP) M4X4		72	060401416	SCREW BIND M4X14	
37	XE3649101	INNER ROTARY HOOK BRACKET ASSY	1000028930	73	021400206	NUT 2 M4	1000022313
38	0A5300806	SCREW PAN (S/P WASHER) M3X8	1000015250	74	XC3496021	GIZA TITE 5X16	
				75	XD1679121	SPRING	
				76	048040346	RETAINING RING E4	
				77	XE7323101	IRH BRACKET SUPPORT PLATE	1000016146



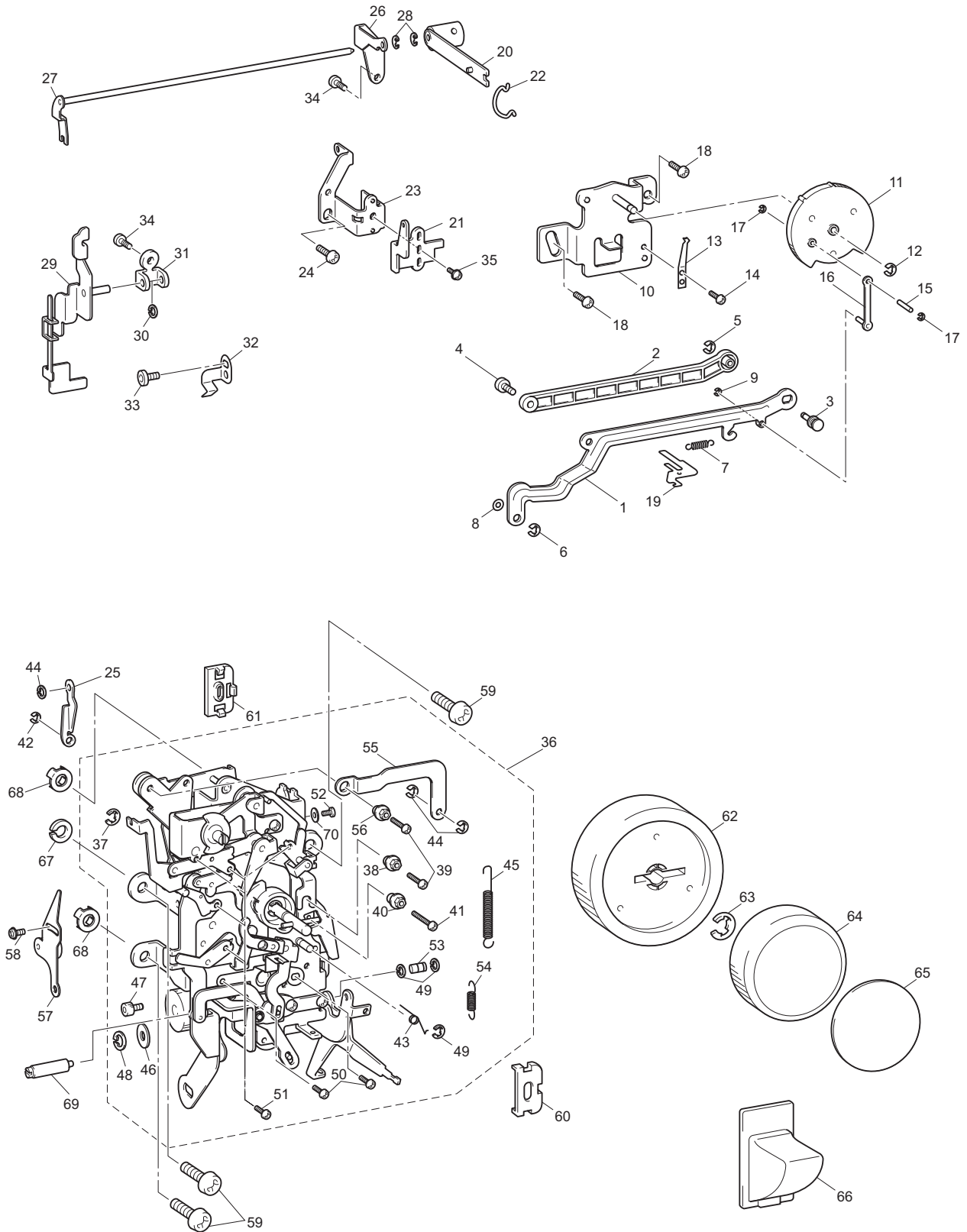
# (4) ZIGZAG / BH / PATTERN SELECTION MECHANISM



## (4) ZIGZAG / BH / PATTERN SELECTION MECHANISM

No.	CODE	NAME	REMARKS
ZIGZAG MECHANISM			
1	XC8996220	ZIGZAG LEVER A	1000022881
2	XC8998020	ZIGZAG LEVER B	
3	XC8999021	ZIGZAG LINK ROLLER SHAFT	
4	0A4400806	SCREW PAN (S/P WASHER) M4X8	
5	048030346	RETAINING RING E3	1000001452
6	048040346	RETAINING RING, E4	1000001452
7	XA4200021	SPRING	
8	137713020	POLYESTER SLIDER	
9	048025346	RETAINING RING E2.5	1000001452
10	XC9002021	Z DIAL HOLDER ASSY	
11	XC9004021	Z DIAL	
12	048040346	RETAINING RING E4	1000001452
13	X56839021	NOTCHED SPRING	
14	085310616	TAPTITE BIND B M3X6	1000033513
15	XC9006021	Z DIAL PIN	
16	XD1680021	Z DIAL CONNECTING ROD ASSY	
17	048025346	RETAINING RING E2.5	1000001452
18	XC3496021	GIZA TITE 5X16	
19	XC9012020	SPRING HOLDER	
BH MECHANISM			
20	XD1682021	BH CHANGE ARM ASSY	
21	XD1684021	BH NOTCH SPRING PLATE	
22	136997021	BH SPRING	
23	XD1685121	BH CHANGE SHAFT HOLDER A	
24	XC3496021	GIZA TITE 5X16	
25	XD1686021	BH CONNECTING ROD B	
26	XD1687021	BH CHANGE SHAFT HOLDER B	
27	XD1688221	BH CHANGE SHAFT ASSY	
28	048025346	RETAINING RING E2.5	1000001452
29	XD1695021	BH LEVER HOLDER ASSY	
30	048030346	RETAINING RING E3	1000001452
31	XD1699021	BH SHAFT HOLDER	
32	XD1700121	BH LEVER STOPPER	
33	018300636	BOLT SOCKET M3X6	
34	060400616	SCREW BIND M4X6	1000007772
35	0A4400806	SCREW PAN (S/P WASHER) M4X8	

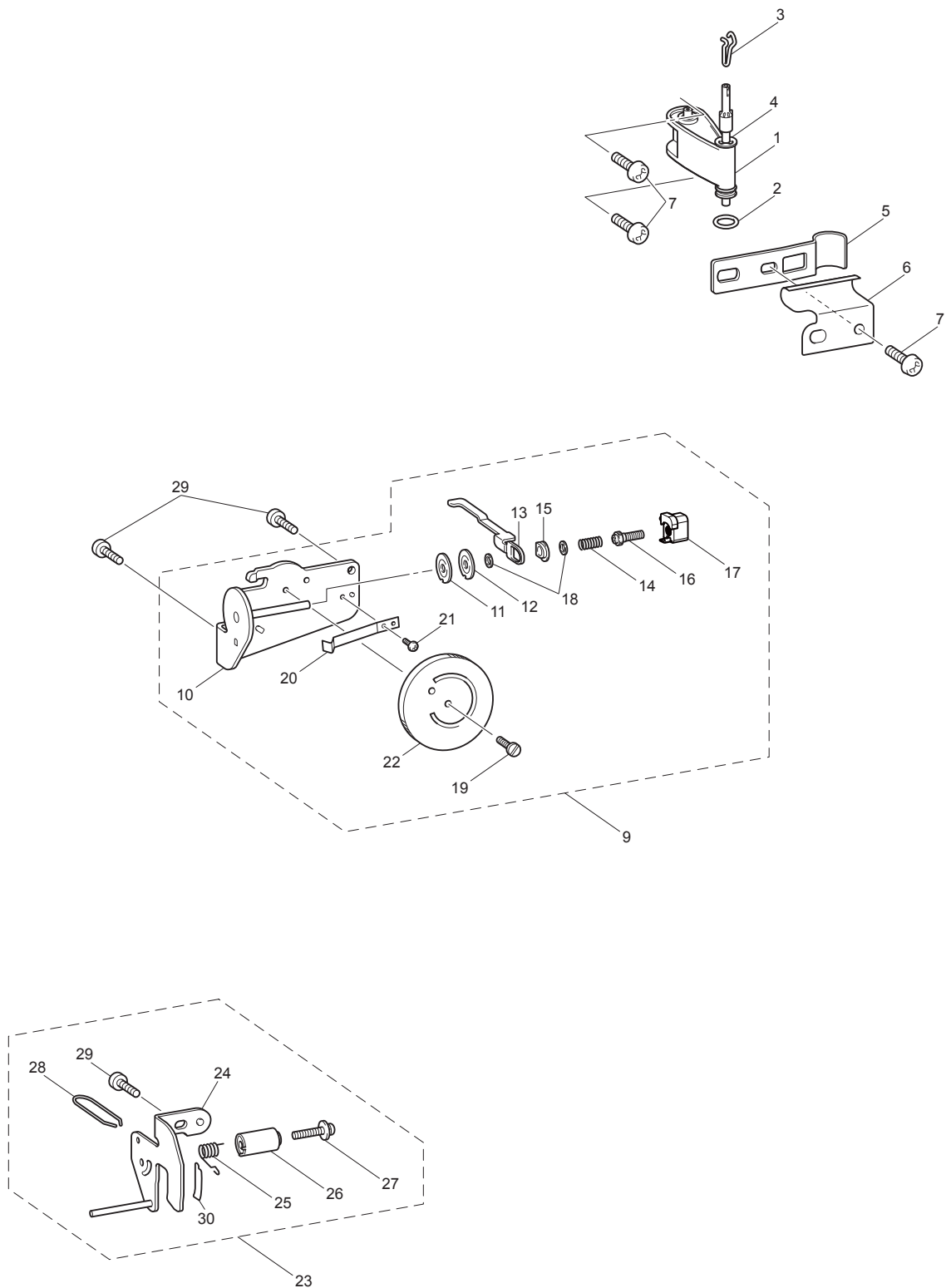
# (4) ZIGZAG / BH / PATTERN SELECTION MECHANISM



## (4) ZIGZAG / BH / PATTERN SELECTION MECHANISM

No.	CODE	NAME	REMARKS	No.	CODE	NAME	REMARKS
PATTERN SELECTION MECHANISM				64	XC9074021	SELECTING DIAL	
36	XD1883121	SELECTING UNIT ASSEMBLY (XL2600i, BM2700, COMFORT 25A, L30, LS590)	1000007085	65	XC9075048	DECORATION PLATE (XL2600i)	1000000181
	XD1701121	SELECTING UNIT ASSEMBLY (XL3500i, XL3600, BM3600, XL3750, 3750FS, COMFORT 35A, L40)	1000007085		XC9075039	DECORATION PLATE (XL3500i)	
37	048060343	RETAINING RING E6	1000001452		XC9075040	DECORATION PLATE (XL3600)	
38	XC4989021	ADJUSTING NUT			XC9075041	DECORATION PLATE (BM3600)	
39	062300806	SCREW PAN M3X8			XC9075043	DECORATION PLATE (BM2700)	
40	XC4994021	ADJUSTING NUT			XC9075047	DECORATION PLATE (COMFORT 25A)	
41	062301205	SCREW PAN M3X12			XC9075046	DECORATION PLATE (COMFORT 35A)	
42	048025343	RETAINING RING E2.5	1000001452		XC9075045	DECORATION PLATE (L30)	
43	XD1769021	SPRING			XC9075044	DECORATION PLATE (L40)	
44	048030343	RETAINING RING E3	1000001452		XC9075050	DECORATION PLATE (XL3750, 3750FS)	1000001599
45	XC5029021	SPRING			XC9075053	DECORATION PLATE (LS590)	1000008128
46	X50546020	WASHER, THRUST			XC9075057	DECORATION PLATE (HQ33)	1000016440
47	012400432	SET SCREW SOCKET (FT) M4X4		66	XC5028021	REVERSE SEWING BUTTON	
48	048050343	RETAINING RING E5	1000001452	67	XZ5020101	SPACER	
49	048040343	RETAINING RING E4	1000001452	68	XD0037220	WASHER 9	
50	060300516	SCREW BIND M3X5		69	XC5034021	SHAFT	1000007085
51	XC7564021	SCREW, PAN (S/P WASHER) M3X6		70	XA5525051	WASHER, PLAIN	1000033410
52	018300636	BOLT SOCKET M3X6					
53	XC6462021	PIN					
54	X59905021	SPRING					
55	XD1789021	ZIGZAG LINK CONNECTING ROD					
56	X50559020	ZIGZAG ADJUSTING NUT					
57	XC8984021	TENSION PULLEY ASSY					
58	0A4400806	SCREW PAN (S/P WASHER) M4X8					
59	XC3805021	GIZA TITE 5X16					
60	XC5035020	SPACER (XL2600i: USA, BRA, XL3500i, XL3750: USA, CHL, BRA, CAN, Latin America (2&5), COMFORT25A, L30, LS590, BM2700, 3600: USA)	1000013708				
61	XC5036020	WASHER (XL2600i: USA, BRA, XL3500i, XL3750: USA, CHL, BRA, CAN, Latin America (2&5), COMFORT25A, L30, LS590, BM2700, 3600: USA)	1000013708				
62	XC9218223	FEED DIAL (XL2600i, BM2700, LS590, HQ33)					
	XC9218222	FEED DIAL (OTHER)					
63	048060346	RETAINING RING E6	1000001452				

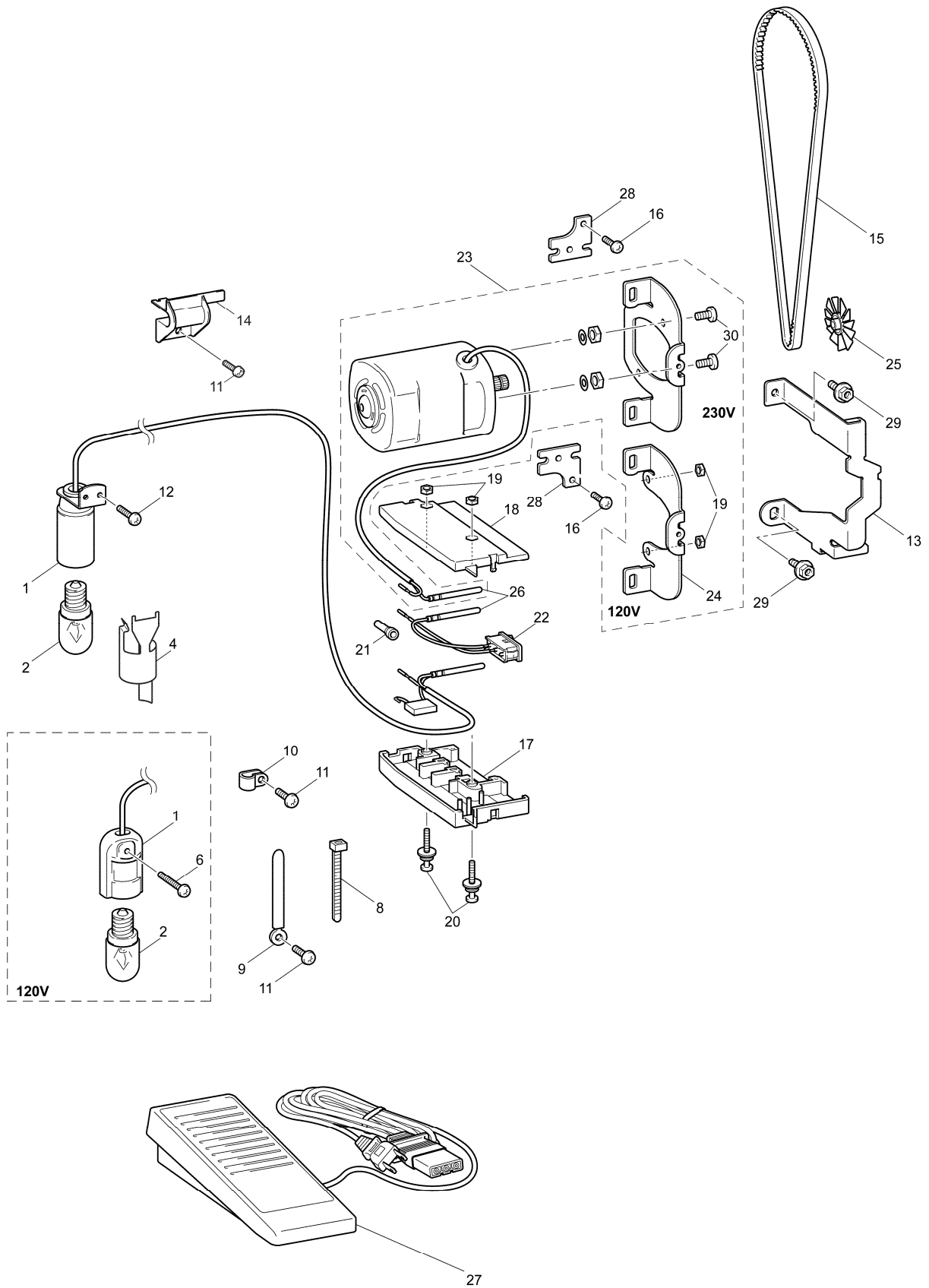
## (5) BOBBIN WINDER / THREAD GUIDE MECHANISM



## (5) BOBBIN WINDER / THREAD GUIDE MECHANISM

No.	CODE	NAME	REMARKS
BOBBIN WINDER MECHANISM			
1	XC5041221	BOBBIN WINDER ASSY	
2	X55238021	RUBBER RING	
3	XC1894020	SPRING	
4	048050346	RETAINING RING E5	100001452
5	XC5045020	BOBBIN WINDER SPRING	
6	XD1790021	CORD STOPPER	
7	XC3496021	GIZA TITE 5X16	
8	<del>085511616</del>	TAPTITE BIND B M5X16	DEL 060082
THREAD GUIDE MECHANISM			
9	XE5756301	THREAD GUIDE A ASSY	1000039889
10	XC5048221	THREAD TENSION HOLDER ASSY	1000031504
11	XA0083121	TENSION DISC A	
12	XA0084121	TENSION DISC B	
13	XD1854021	THREAD RELEASE PLATE	
14	X55842021	SPRING	
15	137881021	TENSION DISC WASHER	
16	XE9288001	THREAD TENSION ADJUSTING SCREW	1000040123
17	XE9289001	THREAD TENSION NUT	1000040123
18	XD0573021	WASHER	
19	XC9234021	TENSION DIAL SHAFT	
20	X56839021	NOTCHED SPRING	
21	062300416	SCREW PAN M3X4	
22	XE9290101	THREAD TENSION DIAL	1000039889
23	XE2780101	THREAD GUIDE ASSY B	1000005353
24	XC5060121	THREAD TAKE-UP HOLDER B	
25	XC6957121	THREAD TAKE UP SPRING	1000005353
26	XC2648121	THREAD CATCHING SPRING CASE	1000003151
27	0A4301806	SCREW, PAN (S/P WASHE) M3X18	
28	XC5059020	THREAD GUIDE WIRE	
29	085411416	TAPTITE BIND B M4X14	
30	XE5984001	SPRING TAPE	1000011631

## (6) LAMP MECHANISM / MOTOR UNIT

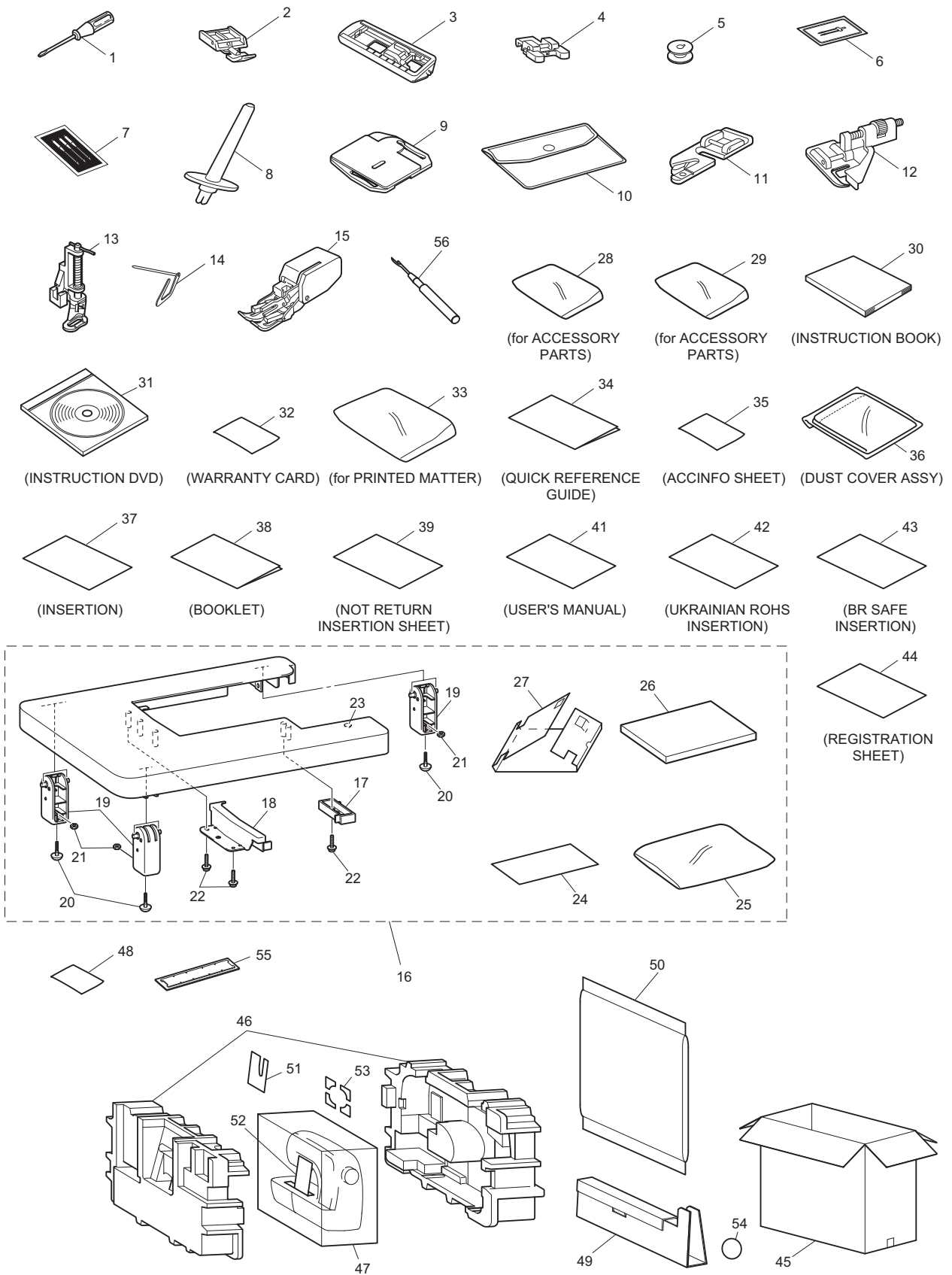


## (6) LAMP MECHANISM / MOTOR UNIT

No.	CODE	NAME	REMARKS	No.	CODE	NAME	REMARKS
LAMP MECHANISM							
1	XC5992021	LAMP ASSY, E12C #026 (XL2600i: USA, BRA120V, LS590, XL3500i, 3750, BM2700, 3600: USA)	1000001599		XE6636001	MOTOR SUPPLY ASSY 220V/60HZ (KOREA)	1000014411
	XC9132021	LAMP ASSY, E14K #186 (OTHER)		23	XE6638001	MOTOR SUPPLY ASSY 240V	1000014411
2	X53061030	SEW-LIGHT BULB (100-120V)	1000013742	24	XD0870321	MOTOR HOLDER FDM120V	1000001599
	205336030	SEW-LIGHT BULB L-4 (220-240V)	1000012695		<del>XD0871421</del>	<del>MOTOR HOLDER FDM230V</del>	1000014411
3	<del>XD1791121</del>	LAMP HOLDER 120V (XL2600i: USA, BRA, XL3500i, XL3750)	1000007202	25	XC3803120	MOTOR FAN	1000033777
4	<del>XD1971021</del>	GUARD PLATE (XL2600i: USA, BRA, XL3500i, XL3750)	1000007202	26	138598021	SOCKET PIN	
	XD1981021	GUARD PLATE 230V (EXCEPT: XL3750, BM2700, 3600: USA)		27	XC7359021	FOOT CONTROLLER: KD-1902 (USA/CAN: 100-120V 50/60Hz)	1000001764
5	<del>060400616</del>	SCREW, BIND M4X6 (XL2600i: USA, BRA, XL3500i, XL3750)	1000007202		XE3414001	FOOT CONTROLLER:KD-1902BRA (BRAZIL: 110-120V 60Hz)	1000004285
6	060302016	SCREW, BIND M3X20 (XL2600i: USA, BRA120V, LS590, XL3500i, 3750, BM2700, 3600: USA)	1000001599		XC7438421	FOOT CONTROLLER:KD-2902 (OTHER: 220-240V 50Hz)	1000025691
7	<del>060300416</del>	SCREW BIND M3X4 (XL2600i: USA, BRA, XL3500i, XL3750)	1000007202		XC7456521	FOOT CONTROLLER:KD-2902UK (UK:220-240V 50Hz)	1000043071
8	X53169020	BAND			XD0112121	FOOT CONTROLLER:KD-2902IRAM (ARGENTINA:220-240V 50Hz)	1000008422
9	XA0286051	WIRE CLIP	1000042697		XE4302201	FOOT CONTROLLER:KD-2902BRA (BRAZIL:220-240V 50/60Hz)	1000029494
10	XC5243021	CORD CLAMP: NK-5N			XE0629001	FOOT CONTROLLER:KD-2902AUS (AUS: 240V 50Hz)	
11	085411416	TAPTITE BIND B M4X14		28	XE5255001	MOTOR FIXED PLATE	1000011677
12	085311215	TAPTITE, BIND B M3X12 (EXCEPT: XL2600i: USA, BRA120V, XL3500i, 3750, LS590, BM2700, 3600: USA)	1000001599	29	XA3004021	BOLT, (S/P WASHER) M5X12	
13	XD1770021	CORD GUIDE PLATE		30	138172021	SCREW, PAN (S/P WASHER) M4X10 (EXCEPT: XL2600i: USA, BRA120V, XL3500i, 3750, LS590, BM2700, 3600: USA)	1000001599
14	XD1786021	CORD CLAMP					
MOTOR UNIT							
15	XC3806121	TIMING BELT 372-2GT-6 (XL2600i, LS590)	1000035412				
	XE5843001	TIMING BELT 2M-372-6 (OTHER)	1000034634				
16	XC3496021	GIZA TITE 5X16					
17	XD0571021	3P SOCKET BODY					
18	XD0572021	3P SOCKET COVER					
19	021400206	NUT 2 M4	1000022313				
20	052403006	SCREW, PAN (S/P WASHER) M4X30					
21	214808020	CONNECTOR: #3					
22	XC5232021	POWER SWITCH ASSY					
23	XD0865021	MOTOR SUPPLY ASSY FDM120V	1000001599				
	XE6313001	MOTOR SUPPLY ASSY FDM230V	1000014411				
	XE6637001	MOTOR SUPPLY ASSY 220V/50HZ	1000014411				



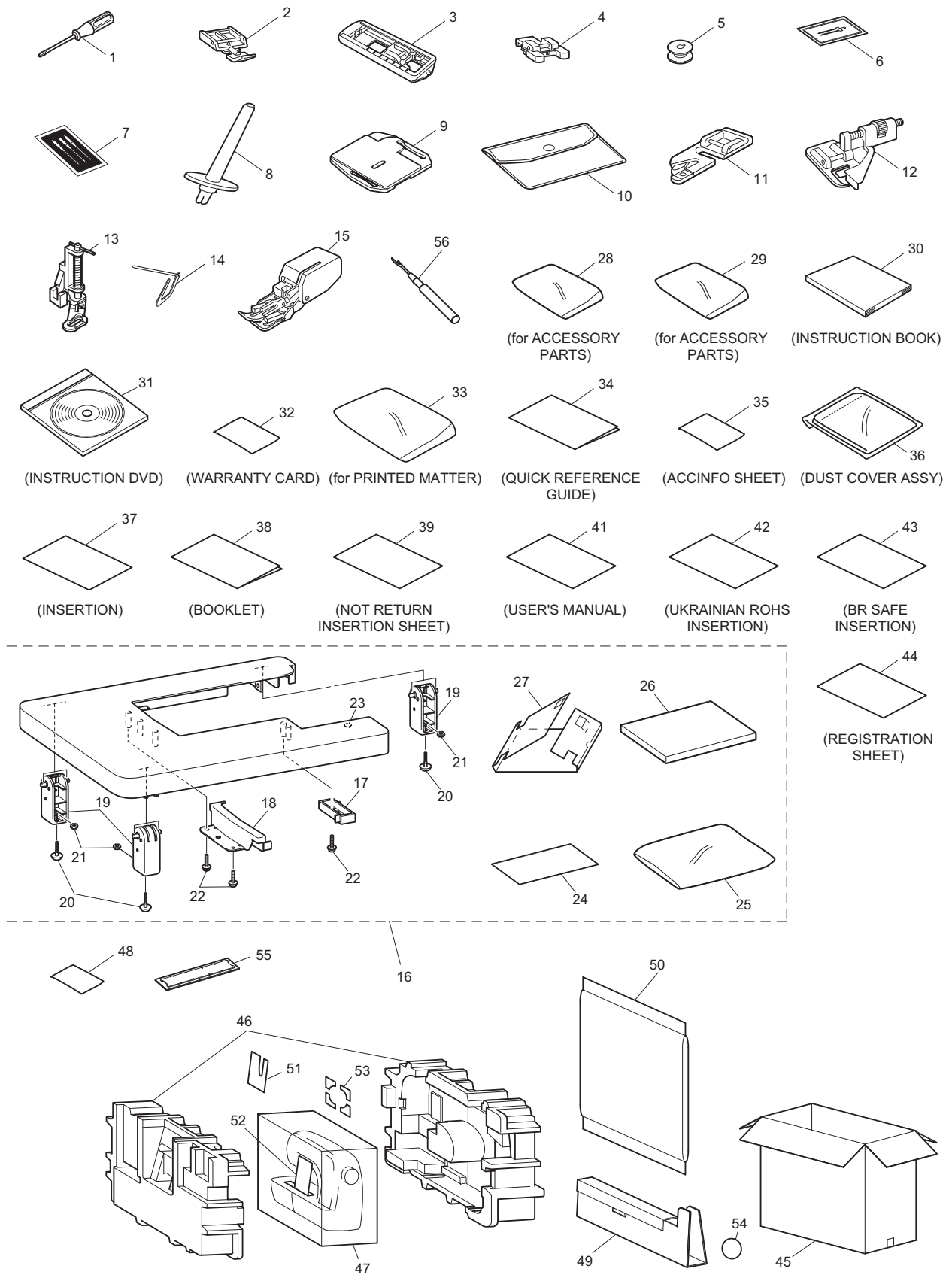
# (7) ATTACHMENTS / PRINTED MATTER / PACKING MATERIALS



## (7) ATTACHMENTS / PRINTED MATTER / PACKING MATERIALS

No.	CODE	NAME	REMARKS	No.	CODE	NAME	REMARKS
ATTACHMENTS				30	XE1338001	INSTRUCTION BOOK SWE (Swedish)	060138
1	X55467021	SCREW DRIVER			XE1342001	INSTRUCTION BOOK FIN (Finnish)	060138
2	X59370021	ZIPPER FOOT			XE1339001	INSTRUCTION BOOK NOR (Norwegian)	060218
3	XD1792031	BUTTON HOLE FOOT ASSY			XE1723101	INSTRUCTION BOOK (Russian)	1000042917
4	XE2137001	BUTTON SEWING FOOT	100001059		XE4542101	INSTRUCTION BOOK BR (BRA: Portuguese)	1000028943
5	X52800120	BOBBIN			XE5684001	INSTRUCTION BOOK TUR (Turkish)	1000010624
6	X57521021	NEEDLE PACKAGE (1 PCE)			XE4934001	MYLAR INSTRUCTION ASSY (LS590: USA)	1000008128
7	129583121	NEEDLE SET (3PCS)	1000022556	31	XD1866021	INSTRUCTION DVD PAL (XL3600i, BM3600)	
8	130920021	EXTRA SPOOL PIN			XE5495301	INSTRUCTION DVD ASSY RUS (RUS)	1000038517
9	XC6063021	FEED DOG COVER			XE6308001	INNOV-IS RANGE PROMOTION DVD	1000013646
10	XC4487021	ACCESSORY BAG		32	XF5055001	STANDARD WARRANTY FOR US (XL2600i: USA, XL3500i, 3750, LS590)	1000032973
11	X59371021	NARROW HEMMER FOOT (USA, CHI, BRA, ARG, CAN, PRY, Latin America (2&5))			XF2705101	PREMIUM WARRANTY FOR US (USA)	1000034011
12	XE6081001	BLIND STITCH FOOT (XL2600i, 3500i, 3750, LS590, BM2700, BM3600: ARG, CHL, USA)	1000012127		XE8671001	WARRANTY CARD BROTHER CANADA	1000018691
13	XD1819121	QUILTING FOOT (XL3500i, XL3750)	1000024883		XF6323101	2&5 WARRANTY FOR US (USA)	1000038646
14	X59819021	QUILTER (XL3500i, XL3750)	1000001599	33	130800021	BAG 220X310H	
15	XE2785002	WALKING FOOT ASSY (XL3500i, 3750)	1000002188	34	XD1795021	QUICK REFERENCE GUIDE (XL2600i, 3500i, 3750, LS590)	1000001599
16	XC9800021	S99 WIDE TABLE ASSY (XL3500i, 3750)	1000001599		XD1865021	QUICK REFERENCE GUIDE (XL3600)	
17	XC9360021	FIXING PLATE A (XL3500i, 3750)	1000001599		XD1871021	QUICK REFERENCE GUIDE (BM3600, 2700, COMFORT 25A, 35A, L30, L40, XL3750: CHI, Latin America (2&5), HQ33)	
18	XC9786021	FIXING PLATE S99 (XL3500i, 3750)	1000001599	35	XC6911021	ACCINFO SHEET (XL2600i: USA, XL3500i, XL3750: CAN, LS590)	
19	XC4495021	TABLE FOOT (XL3500i, 3750)	1000001599	36	XA2112022	DUST COVER ASSY (EXCEPT: USA, CHILE, ARG, PRY)	
20	XD1223021	ADJUSTING FOOT (XL3500i, 3750)	1000001599	37	XF0300101	INSERTION WEEE	1000043410
21	021400206	NUT 2 M4 (XL3500i, 3750)	1000001599		XE2196001	INSERTION	1000003188
22	087411416	TAPTITE CUP B M4X14 (XL3500i, 3750)	1000001599		XF6550001	STOP INSERTION CANADA (CAN)	1000036767
23	X59853020	RUBBER CUSHION (XL3500i, 3750)	1000001599		XE8862201	INSERTION CE (UK, ITA, GUF, FRA, ESP, FIN, CHE, EEU, NEU, DEU, AUT, TUR/SGP/UAE, AUS)	1000021834
24	XC9802021	INSTRUCTION MANUAL (XL3500i, 3750)	1000001599		XF3999101	INSERTION FOR AC POWER	1000032938
25	X61231021	BAG 400X500H (XL3500i, 3750)	1000001599	38	<del>XG2063001</del>	<del>BOOKLET PC</del> (XL3600, BM3600: EXCEPT CHI, AUS, ARG, HQ33)	<del>1000051282</del>
26	XC9361020	LE WIDE TABLE CARTON (XL3500i, 3750)	1000001599	39	XE4888001	NOT RETURN INSERTION SHEET (LS590, L30)	1000007964
27	XC9362120	PAD (XL3500i, 3750)	1000031976	40	<del>XC1885021</del>	<del>MANUAL (XL3750: CAN)</del>	<del>1000036683</del>
28	XD0789021	BAG, 120X135C (XL2600i, XL3500i, 3750, LS590)	1000001599	41	XA7201021	USER'S MANUAL (XL3750: CAN)	
29	X57367021	BAG, 135X150 (XL3500i, XL3750)	1000001599	42	XE9897001	UKRAINIAN ROHS INSERTION (RUS)	1000024008
PRINTED MATTER				43	XF0726001	BR SAFE INSERTION (BRA)	1000025726
30	XD1794321	INSTRUCTION BOOK (English / Spanish)	1000011678	44	XE9639001	REGISTRATION SHEET (USA)	1000032853
	XD1864021	INSTRUCTION BOOK GER (German)					
	XD1931021	INSTRUCTION BOOK ENG (English)					
	XE0001001	INSTRUCTION BOOK FRE (French)					
	XE0002001	INSTRUCTION BOOK DUT (Dutch)					
	XE0003001	INSTRUCTION BOOK ITA (Italian)					
	XE1337001	INSTRUCTION BOOK DEN (Danish)	060138				

# (7) ATTACHMENTS / PRINTED MATTER / PACKING MATERIALS



## (7) ATTACHMENTS / PRINTED MATTER / PACKING MATERIALS

No.	CODE	NAME	REMARKS
PACKING MATERIALS			
45	XE1956101	COLOR CARTON (XL2600i: OTHER)	1000025634
	XD1796021	COLOR CARTON (XL3500i)	
	XC5152046	CARTON (XL3600)	
	XC5152047	CARTON (BM3600: OTHER)	
	XE1814001	COLOR CARTON (BM3600: AUS, CHI)	ADD
	XC5152048	CARTON (BM2700)	
	XE1837101	CARTON (COMFORT 25A)	1000006004
	XE1817101	CARTON (COMFORT 35A)	1000006004
	XE1839101	CARTON (L30)	1000006004
	XE1838101	CARTON (L40)	1000006004
	XF0394001	COLOR CARTON MODEL: XL-3750 (XL3750: OTHER)	1000025634
	XE3410001	CARTON (XL3750FS)	1000004116
	XE3902001	COLOR CARTON (XL2600i: ARG, BRA)	1000006416
	XD1796024	COLOR CARTON (XL3750: ARG, BRA, CHL, PRY, Latin America (2&5))	1000006416
	XD1796025	COLOR CARTON (XL3750: CAN)	
	XE4803101	COLOR CARTON (LS590: USA)	1000025634
	XE5932001	CARTON (BM2700: USA)	
	XE5935001	CARTON (BM3600: USA)	
	XE7678001	CARTON MODEL: HQ-33 (HQ33)	1000016440
	XE8569001	COLOR CARTON MODEL:LS-590 (LS590: CAN)	1000018195
46	XD1798221	S29SF ASSY	1000031443
47	X60439121	BAG 630X630T	1000013217
48	X57847021	PLUG LABEL (U.K.)	
49	XC9806020	PAD (XL3500i, XL3750)	1000001599
50	XC9960021	SEWING MACHINE CASE ASSY (XL3500i, XL3750)	1000001599
51	XZ5028001	NEEDLE BAR PAD D	
52	XE4997001	NEEDLE GUARD D	
53	XD1536020	DIAL PAD D	
54	XD0242021	DVD STICKER (U.K., IRE, SGP, UAE)	1000015636
55	LA6041001	SECURITY TAG (XL3750: CAN)	
56	XZ5082001	SEAM RIPPER	1000020345
	XE9063001	NOM CARTON LABEL (BM-2700)	1000020350
	XE9064001	NOM CARTON LABEL (BM-3600)	1000020350
	<del>XE9932004</del>	<del>GOST STICKER 29X27 (RUS)</del>	1000042917
	<del>XZ5097004</del>	<del>GOST STICKER 36X36 (RUS)</del>	1000042917
	XF1219001	ACCESSARY STICKER (RUS)	1000031136
	<b>XE4890101</b>	<b>NOT RETURN STICKER ENG</b>	<b>1000049325</b>

**brother**

XL2600i/XL3500i/XL3600/XL3750/BM3600/BM2700/COMFORT 25A/35A/L30/L40  
XL3750FS/LS590/HQ33  
09A06HF885S28/29